

VERONA PLUS SATINEE

Mixer Taps

Code: R497 A20

MITIGEUR VERONA PLUS SATINE



DETAILS

Mixer type Single-lever mixer tap with rotating barrel and extractable shower

Texture Brushed in line

Material Brass

Rotating angle 360°

Strengthening plate ø50 mm

Cartridge With ceramic discs

Mixer hole ø35 mm

Rear encumbrance 35mm

Max worktop thickness 40mm

FEATURES

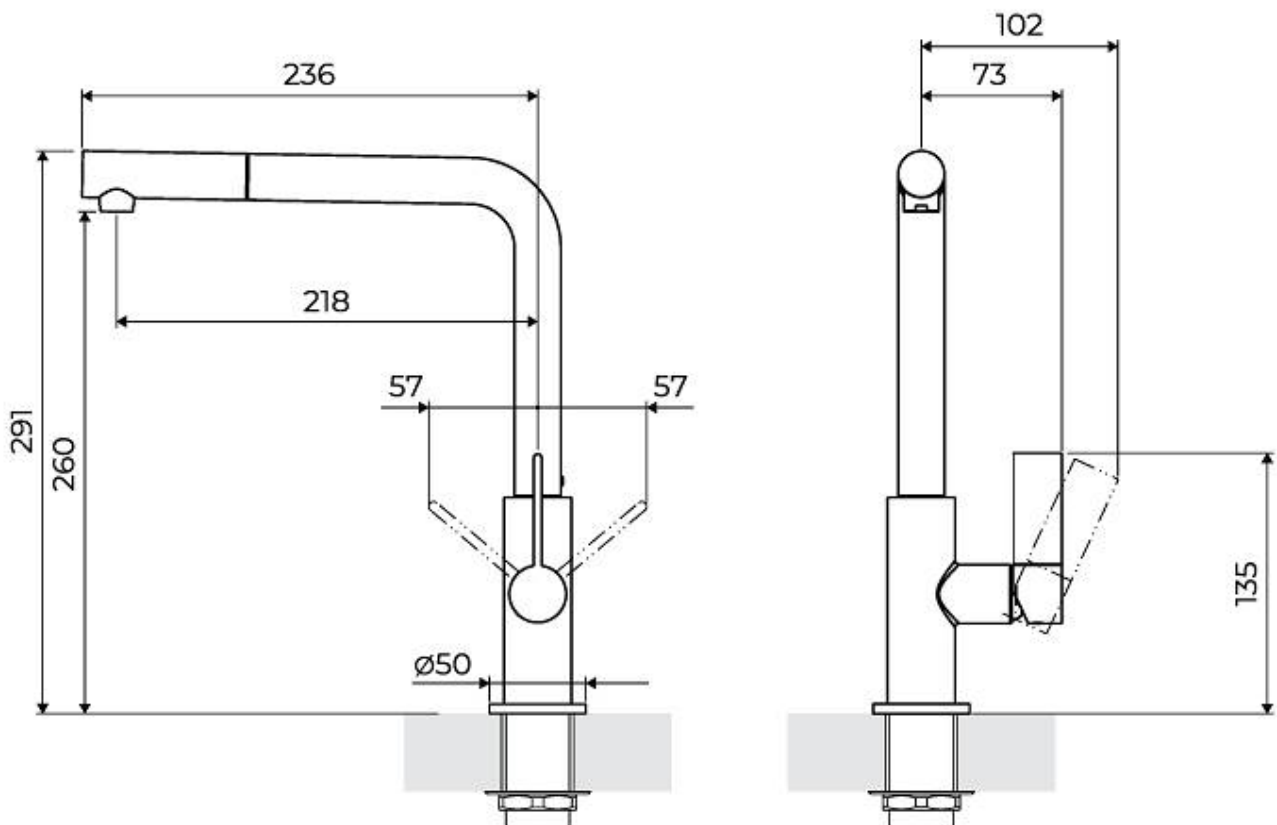
Rotating angle

All the taps have a wide angle of rotation. Some models even permit a full 360° rotation.

Strengthening plate

Foster's mixer taps are equipped with the strengthening plate that offers perfect stability on any sink.

TECHNICAL DATA



GALLERY



RECOMMENDED PAIRINGS



SAPONE SATINE
R520 A00